

Part number

CHI 06 LCS



Brief description:

bulkhead mounting housings with single lever, size "44.27", metal cover, metal version, IP65

Product description

Version	metal version
Series	Bulkhead housings, with 2 pegs
Product type	with 2 pegs and gasket
Variant	metal cover
Family	CLASS enclosures
Size	size "44.27"

Technical data

Operating temperature range (min, max)	-40°C ... +125°C
Material	metal
IP degree of protection	IP65

Further technical details

Weight	125,00 g
--------	----------

Approvals / Standards

Quality mark	 (type:4/4X/12),  , EAC
Conformity	CQC, CE

General ordering information

EAN13 code	8015747017220
Tariff number	85369095

Packaging Information

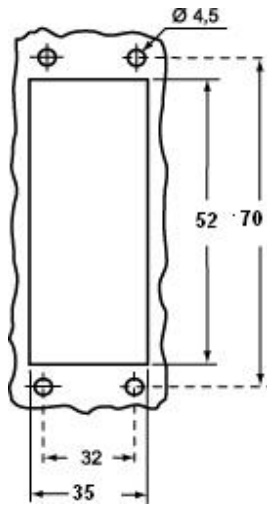
Packaging length	175,00 mm
Packaging height	100,00 mm
Packaging width	330,00 mm
Packaging weight	2,50 kg
Packaging volume	5,78 dm ³
Packaging description	Carton box
Packaging quantity	20 Pcs
Packaging EAN code	8015747017237
Sub-packaging weight	0,63 kg
Sub-packaging description	Plastic packaging
Sub-packaging quantity	5 Pcs
Sub-packaging EAN barcode	8015747017244

Part number

CHI 06 LCS

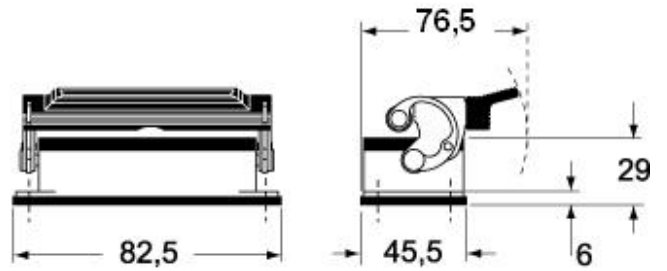


Catalogue drawings

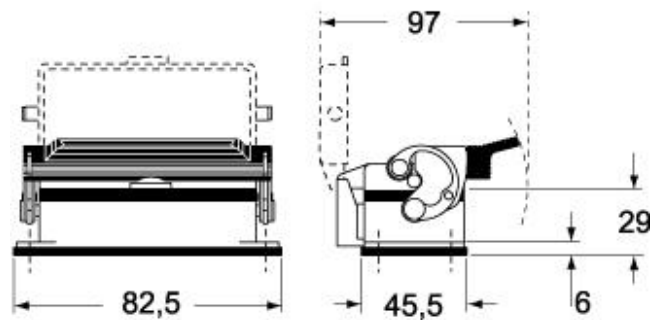


Catalogue drawings

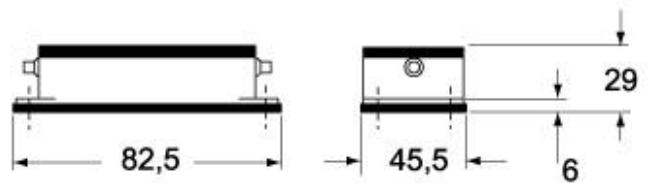
CHI L



CHI LS



CHI LC



CHI LCS/LCP

